



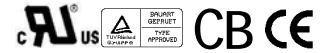
SUNPOWER TECHNOLOGY CORP.
 16F-1, No.150, Jian 1st Rd., Zhonghe Dist., New Taipei City 235, Taiwan (R.O.C.).
 TEL: 886-2-8226-3100 FAX: 886-2-8226-3111
 http://www.sunpower.com.tw
 E-mail: sunpower@sunpower.com.tw

SPS-G150-Qx Series

Quad Output



198 x 95 x 38 mm
 7.80 x 3.74 x 1.50 inch



Features:

- * AC input range selected by 115/230 SW.
- * Power ON with LED indicator
- * Built in EMI filter, low ripple noise
- * Over voltage protection : Shutdown and latch off
- * Over load & short circuit protection : Hiccup mode
- * **1U low profile 38mm**
- * -20°C~70°C Operating temperature
- * UL, cUL, TUV, CB, CE approved
- * 3 years warranty

Specification:

INPUT	Voltage ②	AC 88V ~ 132V or 176V ~ 264V selected by switch · DC 250V ~ 375V.											
	Frequency	47 ---- 63 Hz											
	Current	<3.2A@115V , <2A@230V AC input, full load condition											
	Inrush Current	<35A@115V , <70A@230V AC input, Cold start at 25°C ambient											
	Leakage Current	<1.0mA@264V AC input											
OUTPUT	MODEL No.	SPS-G150-Q1				SPS-G150-Q3				SPS-G150-Q4			
	Output	V1	V2	V3	V4	V1	V2	V3	V4	V1	V2	V3	V4
	Voltage	5V	12V	-12V	-5V	5V	12V	24V	-12V	5V	15V	24V	-15V
	Min Load	2A	0.3A	0A	0A	2A	0.3A	0.1A	0A	2A	0.3A	0.1A	0A
	Max Load	12A	5A	1A	1A	12A	5A	2.5A	1A	12A	4A	2.5A	1A
	Output Tolerance ③	±2%	±7%	±7%	±5%	±2%	±7%	±7%	±5%	±2%	±7%	±7%	±5%
	Ripple Noise MAX. ④	70mV	120mV	100mV	100mV	70mV	120mV	150mV	100mV	70mV	120mV	150mV	100mV
	Efficiency (TYP.)	79%				80%				80%			
	Output MAX.	125W				130W				130W			
	Note	* SPS-G150-TxA without V4 or SPS-G150-TxB without V3											
PROTECTION	Over Voltage	V1 : 5.8 ~ 7.0V ; Shutdown and latch off, recover after re-start up.											
	Over Load & Short Circuit	When power supply over 105%~ 150% max load or short circuit acted, power supply will go into hiccup mode and recover automatically after the fault is removed.											
ELEC. CHAR.	Rise time	<30mS											
	Hold up time	>20mS@230V, full load condition											
	Setup time	<1.5 S@115V , <1 S@230V											
ENVIRONMENT	Temperature ⑤	Operating: -20 ~ +70°C ; De-rating: 45 ~ 70°C: 2.5%/°C ; Storage: -40 ~ +85°C											
	Humidity	Operating: 20% ~ 90% RH (non condensing) ; Storage: 10% ~ 95% RH (non condensing)											
	Altitude	6562 ft (≈ 2000 m) operating											
SAFETY	Withstand voltage	I/P-O/P:3KVAC, I/P-PE:1.5KVAC, O/P-PE:0.5KVAC, 1minute											
	Isolation resistance	I/P-O/P, I/P-PE, O/P-PE > 100MΩ/500VDC at 25°C/ 70% RH											
	Safety standard	UL 60950-1 2 nd , CSA C22.2 No. 60950-1-07 2 nd , TUV EN 60950-1:2006+A11+A1+A12, IEC 60950-1:2005+A1, approved.											
EMC	EMI	EN 55022 CLASS B, FCC CFR 47 PART 15 CLASS B, CNS 13438 CLASS B.											
	EMS	Compliance to EN61000-3-2 CLASS A, EN61000-3-3 EN 55024 : EN 61000-4-2,3,4,5,6,8,11											
OTHERS	Cooling	Natural cooling.											
	M.T.B.F.	210K hours											
	Terminal pitch	8P / 8.25mm with plastic cover, 90 deg terminal optional (with MOQ)											
	Packing	N.W.:0.7Kg / 1pc; 24 pcs / 1.22 CUFT / 1 CTN											

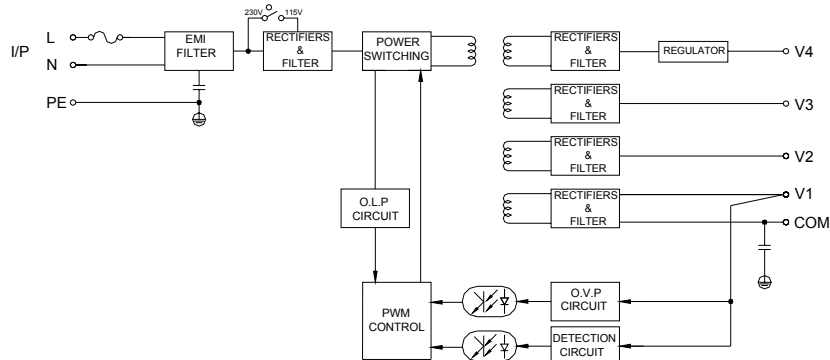
- ① All measurements which not mentioned are based on 230VAC input, **output Max** at ambient 25°C / 70%RH
 ② If the input voltage is DC 250~375V, **the AC slide switch must stay at 230V range.**
 ③ Output tolerance included set up voltage, line regulation and load regulation.
 The regulation is measured at the condition : when any of output is with 20% ~ 100% **max load** and the rest of each outputs are with 60% **max load**, Each output could work within **max load** but must under total **output max**.
 ④ Ripple & noise are measured at 115/230VAC input with 10~50°C condition and 20MHz of bandwidth by using a 10" ~15" twisted pair-wire terminated with a 0.1uF & a 47uF parallel capacitor.
 ⑤ The operating temperature shall follow the de-rating curve in spec
 ⑥ The power supply is considered a component of end-equipment. The end-equipment must be re-confirmed whether comply with EMC directives.



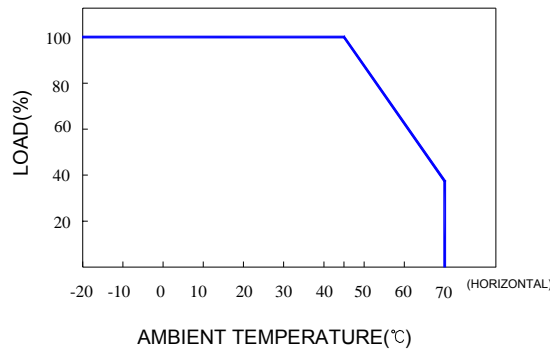
SUNPOWER TECHNOLOGY CORP.
 16F-1, No.150, Jian 1st Rd., Zhonghe Dist., New Taipei City 235, Taiwan (R.O.C.)
 TEL: 886-2-8226-3100 FAX: 886-2-8226-3111
 http://www.sunpower.com.tw
 E-mail: sunpower@sunpower.com.tw

SPS-G150-Qx Series

Block Diagram : SQ1

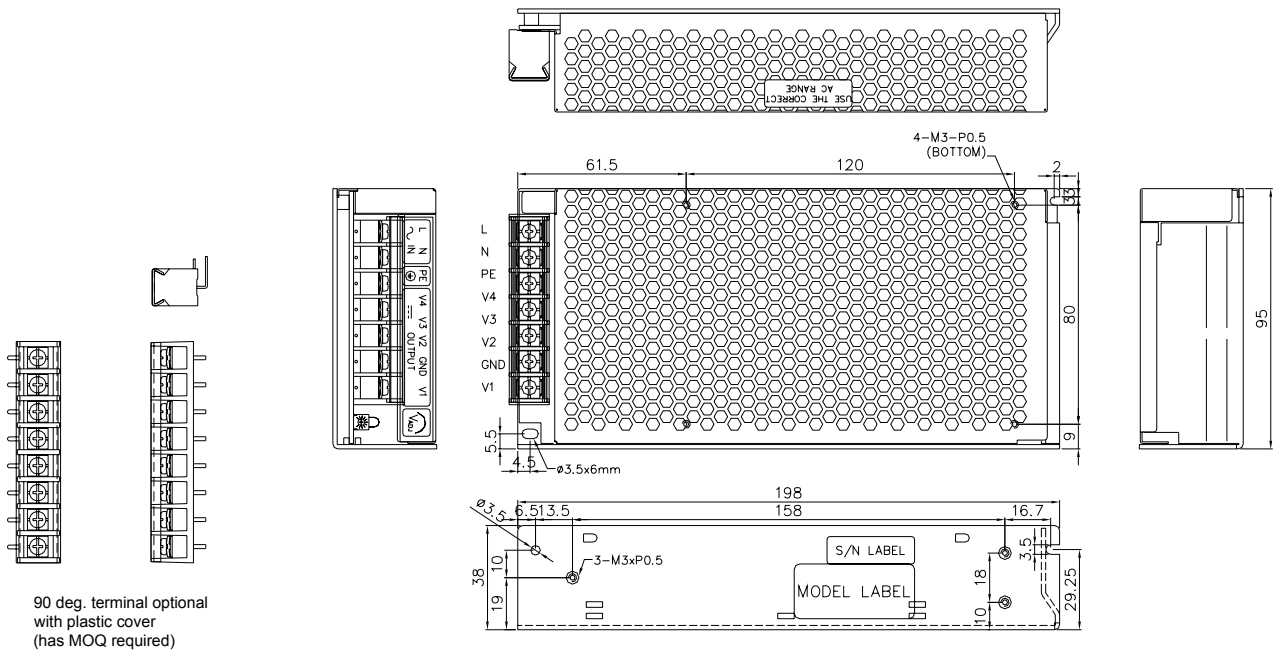


De-rating Curve :



Dimension:

(Unit: mm)



Terminal Pin. No Assignment :

8P, PITCH 8.25mm WITH PC COVER								
MODEL No.	1	2	3	4	5	6	7	8
SPS-G150-Qx	L	N	PE	V4	V3	V2	GND	V1