



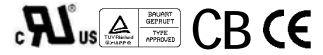
SUNPOWER TECHNOLOGY CORP.
 16F-1, No.150, Jian 1st Rd., Zhonghe Dist., New Taipei City 235, Taiwan (R.O.C.).
 TEL: 886-2-8226-3100 FAX: 886-2-8226-3111
 http://www.sunpower.com.tw
 E-mail: sunpower@sunpower.com.tw

SPS-G150-Dx Series

Dual Output



198 x 95 x 38 mm
 7.80 x 3.74 x 1.50 inch



Features:

- * AC input range selected by 115/230 SW.
- * Power ON with LED indicator
- * Built in EMI filter, low ripple noise
- * Over voltage protection : Shutdown and latch off
- * Over load & short circuit protection : Hiccup mode
- * **1U low profile 38mm**
- * -20°C~70°C Operating temperature
- * UL, cUL, TUV, CB, CE approved
- * 3 years warranty

Specification:

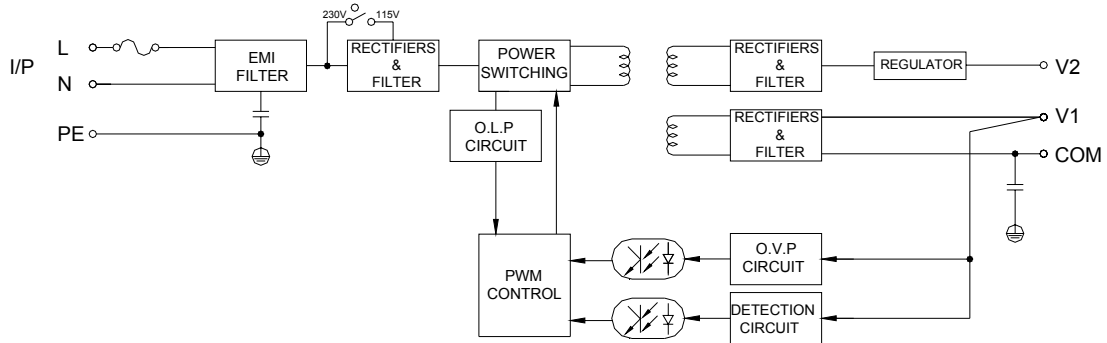
INPUT	Voltage ②	AC 88V ~ 132V or 176V ~ 264V selected by switch · DC 250V ~ 375V.			
	Frequency	47 ----- 63 Hz			
	Current	<3.2A@115V , <2A@230VAC input, full load condition			
	Inrush Current	<35A@115V , <70A@230V AC input, Cold start at 25°C ambient			
	Leakage Current	<1.0mA@264V AC input			
OUTPUT	MODEL No.	SPS-G150-D1		SPS-G150-D2	
	Output	V1	V2	V1	V2
	Voltage	5V	12V	5V	24V
	Min Load	0.5A	0A	0.5A	0A
	Max Load	12A	10A	12A	5A
	Output Tolerance ③	±3%	±3%	±3%	±3%
	Ripple Noise MAX. ④	70mV	120mV	70mV	150mV
	Efficiency (TYP.)	82%		84%	
Output MAX.	133W		135W		
PROTECTION	Over Voltage	5.8~7.0V : Shutdown and latch off, recover after re-start up.			
	Over Load & Short Circuit	When power supply over 105%~ 150% max load or short circuit acted, power supply will go into hiccup mode and recover automatically after the fault is removed.			
ELEC. CHAR.	Rise time	<30mS			
	Hold up time	>20mS@230V, full load condition			
	Setup time	<1.5 S@115V , <1 S@230V			
ENVIRONMENT	Temperature ⑤	Operating: -20 ~ +70°C ; De-rating: 45 ~ 70°C: 2.5%/°C ; Storage: -40 ~ +85°C			
	Humidity	Operating: 20% ~ 90% RH (non condensing) ; Storage: 10% ~ 95% RH (non condensing)			
	Altitude	6562 ft (= 2000 m) operating			
SAFETY	Withstand voltage	I/P-O/P:3KVAC, I/P-PE:1.5KVAC, O/P-PE:0.5KVAC, 1minute			
	Isolation resistance	I/P-O/P, I/P-PE, O/P-PE > 100MΩ/500VDC at 25°C/ 70% RH			
	Safety standard	UL 60950-1 2 nd , CSA C22.2 No. 60950-1-07 2 nd TUV EN 60950-1:2006+A11+A1+A12, IEC 60950-1:2005+A1, approved.			
EMC	EMI	EN 55022 CLASS B, FCC CFR 47 PART 15 CLASS B, CNS 13438 CLASS B. Compliance to EN61000-3-2 CLASS A, EN61000-3-3			
	EMS	EN 55024 : EN 61000-4-2,3,4,5,6,8,11			
	Cooling	Natural cooling.			
OTHERS	M.T.B.F.	240K hours			
	Terminal pitch	7P / 9.5mm with plastic cover, 90 deg terminal optional (with MOQ)			
	Packing	N.W.:0.68Kg / 1pc; 24 pcs / 1.22 CUFT / 1 CTN			
NOTE	① All measurements which not mentioned are based on 230VAC input, output Max at ambient 25°C / 70%RH ② If the input voltage is DC 250 ~ 375V, the AC slide switch must stay at 230V range. ③ Output tolerance included set up voltage, line regulation and load regulation. The regulation is measured between 20%-100% max load of each output, Total output t must under output Max. ④ Ripple & noise are measured at 115/230VAC input with 10~50°C condition and 20MHz of bandwidth by using a 10" ~15" twisted pair-wire terminated with a 0.1uF & a 47uF parallel capacitor. ⑤ The operating temperature shall follow the de-rating curve in spec ⑥ The power supply is considered a component of end-equipment. The end-equipment must be re-confirmed whether comply with EMC directives.				



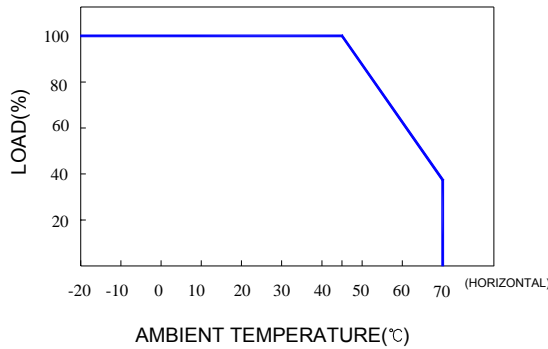
SUNPOWER TECHNOLOGY CORP.
 16F-1, No.150, Jian 1st Rd., Zhonghe Dist., New Taipei City 235, Taiwan (R.O.C.)
 TEL: 886-2-8226-3100 FAX: 886-2-8226-3111
 http://www.sunpower.com.tw
 E-mail: sunpower@sunpower.com.tw

SPS-G150-Dx Series

Block Diagram : SD2

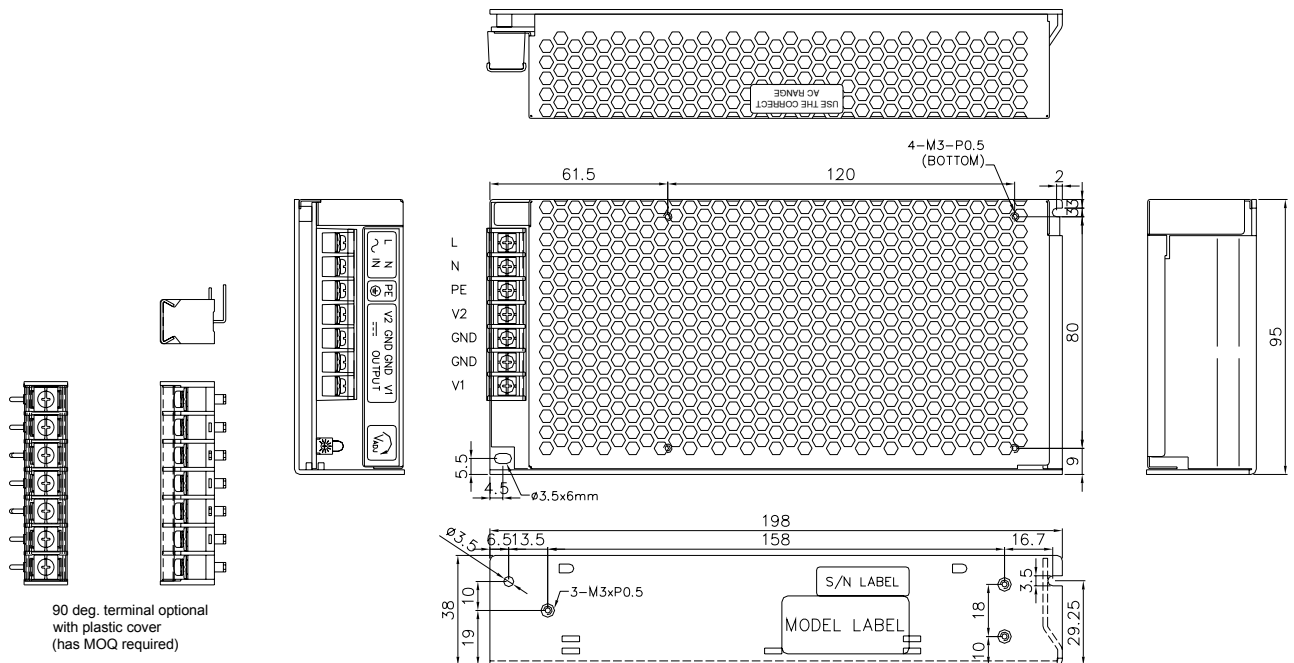


De-rating Curve :



Dimension:

(Unit: mm)



90 deg. terminal optional with plastic cover (has MOQ required)

Terminal Pin. No Assignment :

7P, PITCH 9.5mm WITH PC COVER							
MODEL No.	1	2	3	4	5	6	7
SPS-G150-Dx	L	N	PE	V2	GND	GND	V1