



SUNPOWER TECHNOLOGY CORP.  
 16F-1, No.150, Jian 1st Rd., Zhonghe Dist., New Taipei City 235, Taiwan (R.O.C.).  
 TEL: 886-2-8226-3100 FAX: 886-2-8226-3111  
 http://www.sunpower.com.tw  
 E-mail: sunpower@sunpower.com.tw

# SPS-G100-IDx Series

## Dual Output



159 x 95 x 38 mm  
 6.26 x 3.74 x 1.50 inch  
 CB CE

### Features:

- \* V1 & V2 output are isolated
- \* Power ON with LED indicator
- \* Built in EMI filter, low ripple noise
- \* Over voltage protection : Shutdown and latch off
- \* Over load & short circuit protection : Hiccup mode
- \* V1 output voltage  $\pm 10\%$  adjustment for ID5 \ ID6
- \* **1U low profile 38mm**
- \* -20°C~70°C Operating temperature
- \* UL, cUL, TUV, CB, CE approved
- \* 3 years warranty

### Specification:

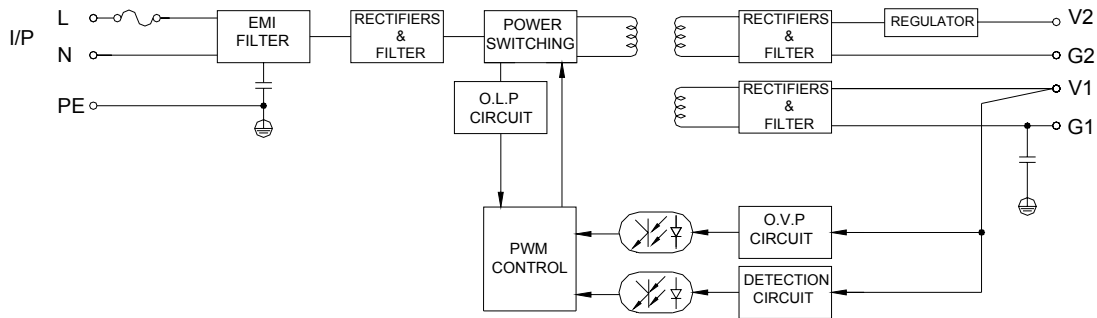
INPUT	Voltage	88V ~ 264VAC universal full range or 125V ~ 375VDC.							
	Frequency	47 ----- 63 Hz							
	Current	<2.5A@100V AC input, full load condition							
	Inrush Current	<35A@115V , <70A@230V AC input, Cold start at 25°C ambient							
	Leakage Current	<1.0mA @264V AC input							
OUTPUT	MODEL No.	SPS-G100-ID1		SPS-G100-ID2		SPS-G100-ID5		SPS-G100-ID6	
	Output	V1	V2	V1	V2	V1	V2	V1	V2
	Voltage	5V	12V	5V	24V	12V	5V	24V	5V
	Min Load	2A	0.3A	2A	0.3A	1A	0A	0.5A	0A
	Max Load	10A	6A	10A	3A	7A	3A	3.5A	3A
	Output Tolerance ②	$\pm 3\%$	$\pm 7\%$	$\pm 3\%$	$\pm 7\%$	$\pm 1\%$	$\pm 3\%$	$\pm 1\%$	$\pm 3\%$
	Ripple Noise MAX. ③	80mV	120mV	80mV	200mV	120mV	80mV	200mV	80mV
	Efficiency (TYP.)	78%		79%		79%		81%	
Output MAX.	88W		90W		88W		90W		
PROTECTION	Over Voltage	5.8 ~ 7.0V	----	5.8 ~ 7.0V	----	13.8~16.8V	----	27.6~33.6V	----
	Over Load & Short Circuit	Shutdown and latch off, recover after re-start up. When power supply over 105%~ 150% max load or short circuit acted, power supply will go into hiccup mode and recover automatically after the fault is removed.							
ELEC. CHAR.	Rise time	<30mS							
	Hold up time	>60mS@230V, full load condition							
	Setup time	<1 Sec@100 ~ 240V AC							
ENVIRONMENT	Temperature ④	Operating: -20 ~ +70°C ; De-rating: 50 ~ 70°C: 2.5%/°C ; Storage: -40 ~ +85°C							
	Humidity	Operating: 20% ~ 90% RH (non condensing) ; Storage: 10% ~ 95% RH (non condensing)							
	Altitude	<b>6562 ft ( = 2000 m) operating</b>							
SAFETY	Withstand voltage	I/P-O/P:3KVAC, I/P-PE:1.5KVAC, O/P-PE:0.5KVAC, 1minute							
	Isolation resistance	I/P-O/P, I/P-PE, O/P-PE > 100MΩ/500VDC at 25°C/ 70% RH							
	Safety standard	UL 60950-1 2 <sup>nd</sup> , CSA C22.2 No. 60950-1- 07 2 <sup>nd</sup> TUV EN 60950-1:2006+A11+A1+A12, IEC 60950-1:2005+A1, approved.							
EMC	EMI	EN 55022 CLASS B, FCC CFR 47 PART 15 CLASS B, CNS 13438 CLASS B. Compliance to EN61000-3-2 CLASS A, EN61000-3-3							
	EMS	EN 55024 : EN 61000-4-2,3,4,5,6,8,11							
OTHERS	Cooling	Natural cooling.							
	M.T.B.F.	269K hours							
	Terminal pitch	7P / 9.5mm with plastic cover, 90 deg terminal optional (with MOQ)							
	Packing	N.W.: 0.56Kg / pc ; 30pcs / 1.20 CUFT / 1 CTN							
NOTE	① All measurements which not mentioned are based on 230VAC input, <b>output Max</b> at ambient 25°C / 70%RH ② Output tolerance included set up voltage, line regulation and load regulation. The regulation is measured between 20%-100% <b>max load</b> of each output, Total output t must under <b>output Max</b> . ③ Ripple & noise are measured at 100~254VAC input with 10~50°C condition and 20MHz of bandwidth by using a 10" ~ 15" twisted pair-wire terminated with a 0.1uF & a 47uF parallel capacitor. ④ The operating temperature shall follow the de-rating curve in spec The output load may be requested for decreasing as de-rating curve in spec when low input voltage is under 100VAC. ⑤ The power supply is considered a component of end-equipment. The end-equipment must be re-confirmed whether comply with EMC directives.								



**SUNPOWER TECHNOLOGY CORP.**  
 16F-1, No.150, Jian 1st Rd., Zhonghe Dist., New Taipei City 235, Taiwan (R.O.C.)  
 TEL: 886-2-8226-3100 FAX: 886-2-8226-3111  
 http://www.sunpower.com.tw  
 E-mail: sunpower@sunpower.com.tw

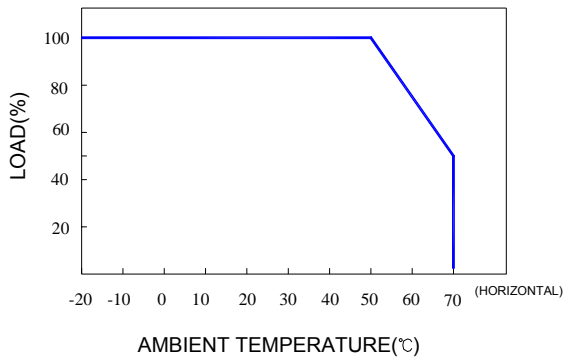
# SPS-G100-IDx Series

## Block Diagram : UD5

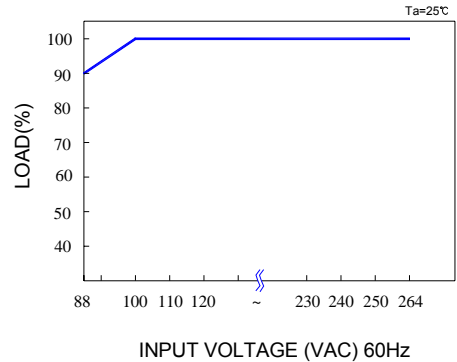


## SPS-G100-ID1 & ID2 V2 without regulator

### De-rating Curve :

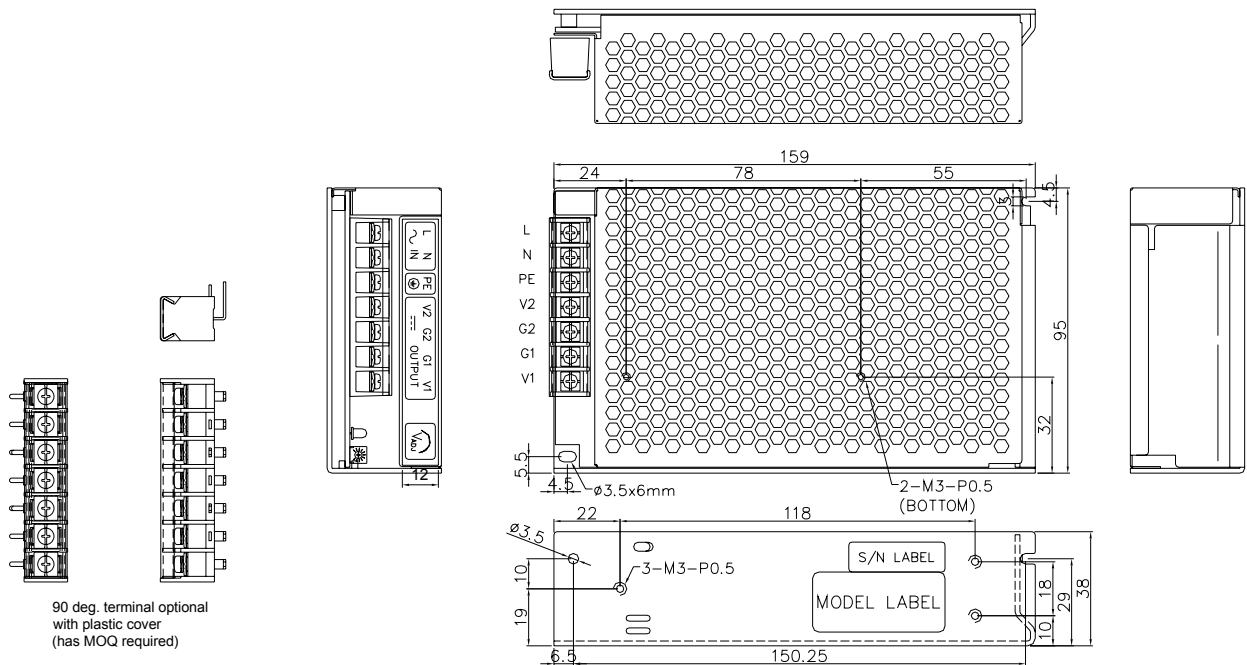


### Output De-rating Vs Input Voltage :



### Dimension:

(Unit: mm)



90 deg. terminal optional with plastic cover (has MOQ required)

### Terminal Pin. No Assignment :

7P, PITCH 9.5mm WITH PC COVER							
MODEL No.	1	2	3	4	5	6	7
SPS-G100-IDx	L	N	PE	V2	G2	G1	V1