



SUNPOWER TECHNOLOGY CORP.
 16F-1, No.150, Jian 1st Rd., Zhonghe Dist., New Taipei City 235, Taiwan (R.O.C.).
 TEL: 886-2-8226-3100 FAX: 886-2-8226-3111
 http://www.sunpower.com.tw
 E-mail: sunpower@sunpower.com.tw

SPS-G050-IDx Series

50W, Dual Output



99 x 82 x 35 mm
 3.90 x 3.23 x 1.38 inch

Features:

- * V1 & V2 output are isolated , ID8&ID9 V2 polarity option (+ or -)
- * Power ON with LED indicator
- * Built in EMI filter, low ripple noise
- * Over voltage protection : Shutdown and latch off
- * Over load & short circuit protection : Hiccup mode
- * 100% full load burn-in test
- * -20°C~70°C Operating temperature
- * UL, cUL, TUV, CB, CE approved
- * 3 years warranty

Specification:

INPUT	Voltage	88V ~ 264VAC universal full range or 125V ~ 375VDC.							
	Frequency	47 ---- 63 Hz							
	Current	<1.3A@100V AC input, full load condition							
	Inrush Current	<30A@115V , <50A@230V AC input, Cold start at 25°C ambient							
	Leakage Current	<0.75mA@264V AC input							
OUTPUT	MODEL No.	SPS-G050-ID1		SPS-G050-ID2		SPS-G050-ID8		SPS-G050-ID9	
	Output	V1	V2	V1	V2	V1	V2	V1	V2
	Voltage	5V	12V	5V	24V	12V	±12V	15V	±15V
	Min Load	0.5A	0A	0.5A	0A	0.3A	0A	0.3A	0A
	Max Load	6A	3A	6A	2A	4.2A	2.1A	3.4A	2A
	Output Tolerance ②	± 3%	± 5%	± 3%	± 5%	± 2%	± 5%	± 2%	± 5%
	Ripple Noise MAX. ③	70mV	120mV	70mV	200mV	120mV	120mV	150mV	150mV
	Efficiency (TYP.)	79%		79%		82%		83%	
Output MAX.	51W		52W		50W		51W		
PROTECTION	Over Voltage	5.8 ~ 7.0V	----	5.8 ~ 7.0V	----	13.8~16.8V	----	17.3~21.0V	----
	Over Load & Short Circuit	Shutdown and latch off, recover after re-start up. When power supply over 105%~ 150% max load or short circuit acted, power supply will go into hiccup mode and recover automatically after the fault is removed.							
ELEC. CHAR.	Rise time	<30mS							
	Hold up time	>60mS@230V, full load condition							
	Setup time	<1 Sec@100 ~ 240V AC							
ENVIRONMENT	Temperature ④	Operating: -20 ~ +70°C ; De-rating: 50 ~ 70°C : 2.5%/°C ; Storage: -40 ~ +85°C							
	Humidity	Operating: 20% ~ 90% RH (non condensing) ; Storage: 10% ~ 95% RH (non condensing)							
	Altitude	6562 ft (≙ 2000 m) operating							
SAFETY	Withstand voltage	I/P-O/P:3KVAC, I/P-PE:1.5KVAC, O/P-PE:0.5KVAC, 1minute							
	Isolation resistance	I/P-O/P, I/P-PE, O/P-PE > 100MΩ/500VDC at 25°C/ 70% RH							
	Safety standard	UL 60950-1 2 nd , CSA C22.2 No. 60950-1-07 2 nd TUV EN 60950-1:2006+A11+A1+A12, IEC 60950-1:2005+A1, approved.							
EMC	EMI	EN 55022 CLASS B, FCC CFR 47 PART 15 CLASS B, CNS 13438 CLASS B. Compliance to EN61000-3-2 CLASS A, EN61000-3-3							
	EMS	EN 55024 : EN 61000-4-2,3,4,5,6,8,11							
OTHERS	Cooling	Natural cooling.							
	M.T.B.F.	299K hours							
	Terminal pitch	7P / 8.25mm with plastic cover, 90 deg terminal optional (with MOQ)							
	Packing	N.W.: 0.39Kg / pc ; 46pcs / 1.22 CUFT / 1 CTN							

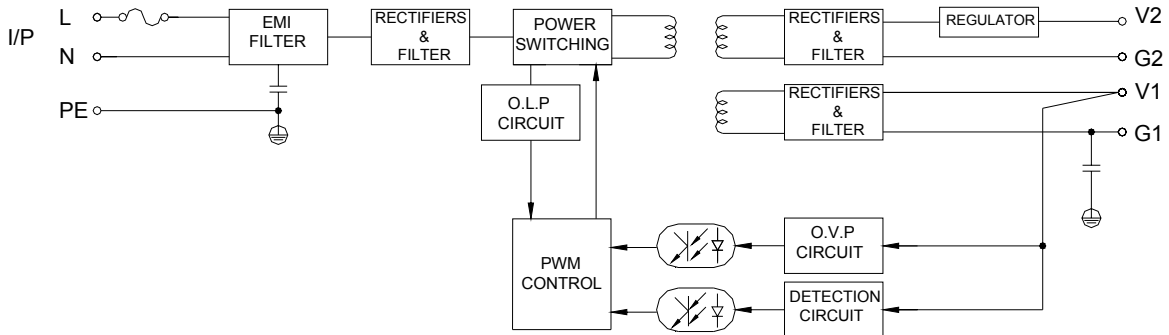
NOTE	①	All measurements which not mentioned are based on 230VAC input, output Max at ambient 25°C / 70%RH
	②	Output tolerance included set up voltage, line regulation and load regulation. The regulation is measured between 20%-80% max load of each output, Total output t must under output Max .
	③	Ripple & noise are measured at 100~254VAC input with 10~50°C condition and 20MHz of bandwidth by using a 10" ~ 15" twisted pair-wire terminated with a 0.1uF & a 47uF parallel capacitor.
	④	The operating temperature shall follow the de-rating curve in spec The output load may be requested for decreasing as de-rating curve in spec when low input voltage is under 100VAC.
	⑤	The power supply is considered a component of end-equipment. The end-equipment must be re-confirmed whether comply with EMC directives.



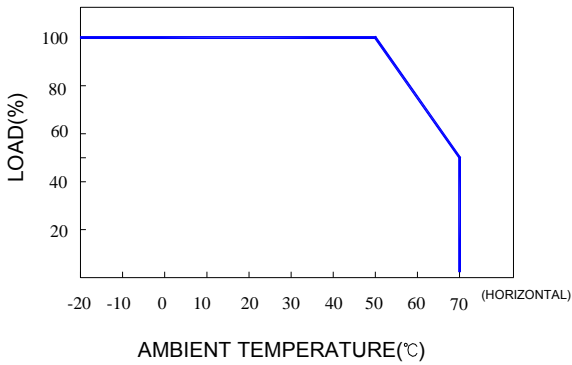
SUNPOWER TECHNOLOGY CORP.
 16F-1, No.150, Jian 1st Rd., Zhonghe Dist., New Taipei City 235, Taiwan (R.O.C.)
 TEL: 886-2-8226-3100 FAX: 886-2-8226-3111
 http://www.sunpower.com.tw
 E-mail: sunpower@sunpower.com.tw

SPS-G050-IDx Series

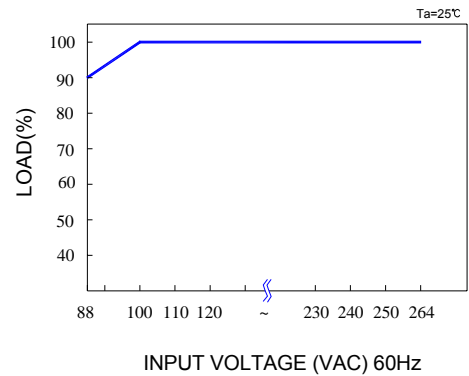
Block Diagram : UD5



De-rating Curve :

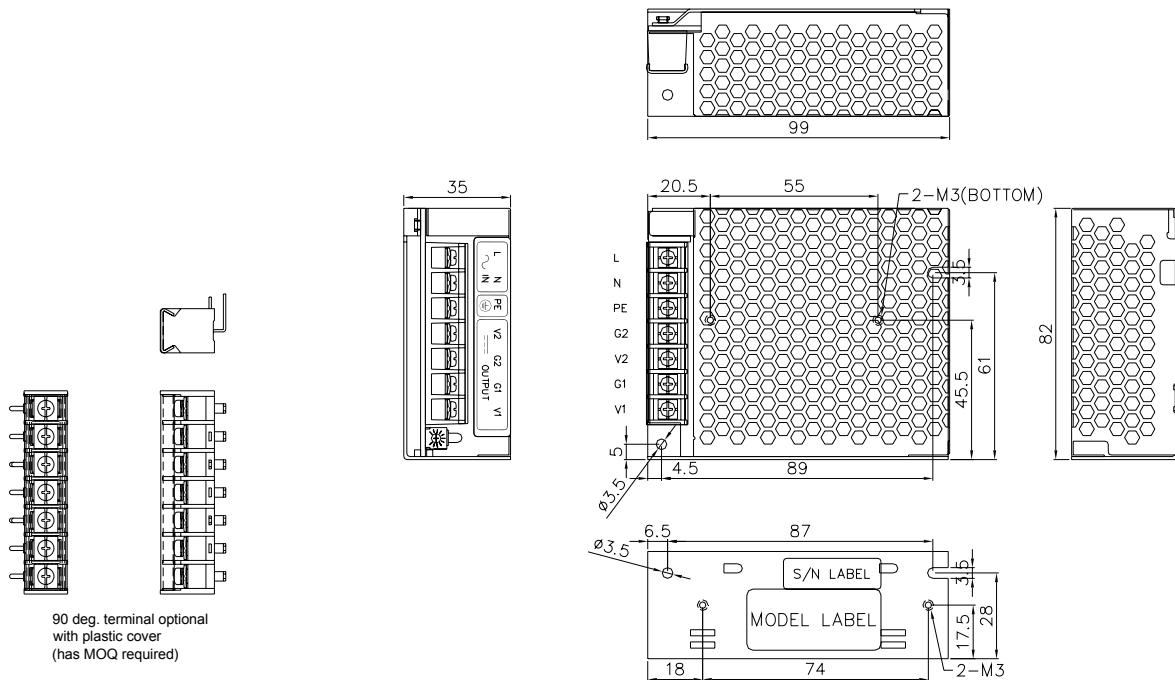


Output De-rating Vs Input Voltage :



Dimension:

(Unit: mm)



90 deg. terminal optional with plastic cover (has MOQ required)

Terminal Pin. No Assignment :

7P, PITCH 8.25mm WITH PC COVER							
MODEL No.	1	2	3	4	5	6	7
SPS-G050-IDx	L	N	PE	G2	V2	G1	V1