



SUNPOWER TECHNOLOGY CORP.
 16F-1, No.150, Jian 1st Rd., Zhonghe Dist., New Taipei City 235, Taiwan (R.O.C.)
 TEL: 886-2-8226-3100 FAX: 886-2-8226-3111
 http://www.sunpower.com.tw
 E-mail: sunpower@sunpower.com.tw

SDS-320C/Dxx Series

320W, Single Output
 48V / 96V DC INPUT



212 x 115 x 50 mm
 8.35 x 4.53 x 1.97 inch



Features:

- * Inrush current limitation soft start function
- * 2:1 input range, input and output isolation
- * Input polarity reverse protection
- * Input over voltage and under voltage protection
- * Over voltage, over load & short circuit protection
- * Over temperature protection (optional)
- * Remote control ON/OFF (optional)
- * Output voltage $\pm 10\%$ adjustment
- * 100% full load burn-in test
- * Meet LVD standard
- * 2 years warranty

Specification:

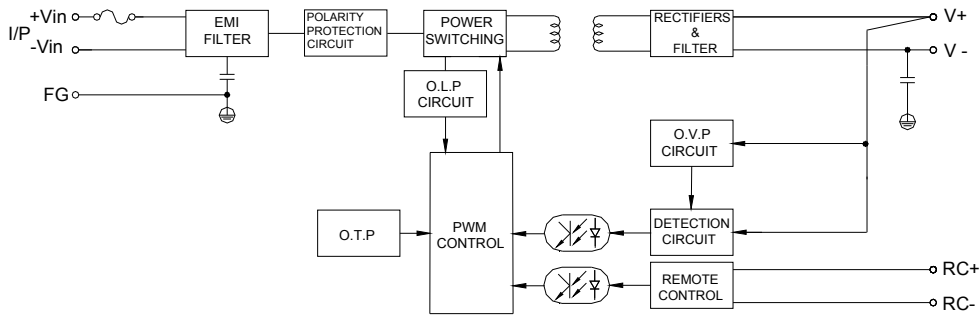
INPUT	Model No.	SDS-320Cxx Ser.			SDS-320Dxx Ser.		
		Voltage	36 ~ 72V DC (Typical 48V)			72 ~ 144V DC (Typical 96V)	
	Current	<13.2A@36V DC			<6.7A@72V DC		
	Inrush Current	<30A@48V DC			<30A@96V DC		
	Protection	Fuse, 15A/250V			Fuse, 10A/250V		
OUTPUT	Voltage	3.3V	5V	7.5V	12V	24V	48V
	Min Load	0A	0A	0A	0A	0A	0A
	Max Load	50A	50A	40A	26.7A	13.4A	6.7A
	Output Tolerance ②	$\pm 3\%$	$\pm 2\%$	$\pm 2\%$	$\pm 1\%$	$\pm 1\%$	$\pm 1\%$
	Ripple Noise MAX. ③	70mV	70mV	100mV	120mV	200mV	250mV
	Efficiency (TYP.)	68%	75%	78%	80%	83%	84%
	Output MAX.	165W	250W	300W	320W	320W	320W
PROTECTION	Over Voltage	3.8~4.6V	5.8~7.0V	8.6~10.5V	13.8~16.8V	27.6~33.6V	55.2~67.2V
		Hiccup and recovers automatically after the fault is removed.					
	Over Load & Short Circuit	When power supply over 105%~ 180% max load or short circuit acted, power supply will go into hiccup mode and recover automatically after the fault is removed.					
	Input Voltage	Under voltage protection : <32~35V Over voltage protection : >73~78V			---		
ELEC. CHAR.	Over Temperature	Optional, Over 95°C \pm 5°C Shutdown, recovers automatically after fault condition has been removed.					
	Rise time	<50mS					
ENVIRONMENT	Remote Control	Optional, RC+ / RC- : 0~0.7V=POWER ON ; 5~10V=POWER OFF , Sink Current: 3~10mA.					
	Temperature ④	Operating: -10~70°C ; de-rating: 50°C ~70°C : 2.5%/°C. ; Storage: -20~+85°C					
SAFETY	Humidity	Operating: 20% ~ 90% RH (non condensing); Storage: 10% ~ 95% RH (non condensing)					
	Withstand voltage	I/P-O/P: 2.0KVAC, I/P-FG: 1.5KVAC, 1minute					
EMC	Isolation resistance	I/P-O/P, I/P-FG, 100M Ω /500VDC at 25°C / 70% RH					
	EMI	EN 55022 CLASS B, FCC CFR 47 PART 15 CLASS B, CNS 13438 CLASS B.					
OTHERS	EMS	EN 55024 : EN 61000-4-2,3,4,6,8 ; ENV 50204					
	Cooling	Forced airflow cooling with DC fan.					
	M.T.B.F.	220K hours					
	Dimension	212 x 115 x 50 mm (L*W*H)					
NOTE	Packing	N.W.: 1.0Kg / 1pc; 15pcs / 1.38 CUFT / 1 CTN					
		① All measurements which not mentioned are based on 48V/96VDC input, output Max at ambient 25°C / 70%RH ② Output tolerance included set up voltage, line regulation and load regulation. ③ Ripple & noise are measured at 42~72V/82~144VDC input with 10~50°C condition and 20MHz of bandwidth by terminated using a 10" ~15" twisted pair-wire with a 0.1uF & a 47uF parallel capacitor. ④ The operating temperature shall follow the de-rating curve in spec ⑤ The power supply is considered a component of end-equipment. The end-equipment must be re-confirmed whether comply with EMC directives.					



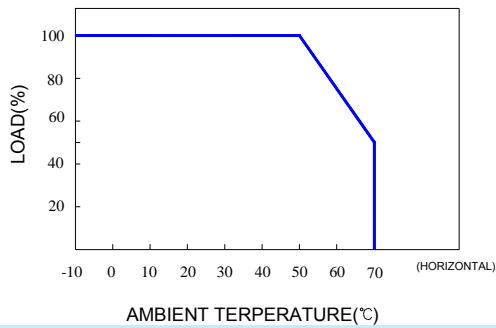
SUNPOWER TECHNOLOGY CORP.
 16F-1, No.150, Jian 1st Rd., Zhonghe Dist., New Taipei City 235, Taiwan (R.O.C.)
 TEL: 886-2-8226-3100 FAX: 886-2-8226-3111
 http://www.sunpower.com.tw
 E-mail: sunpower@sunpower.com.tw

SDS-320C/Dxx Series

Block Diagram : DS3

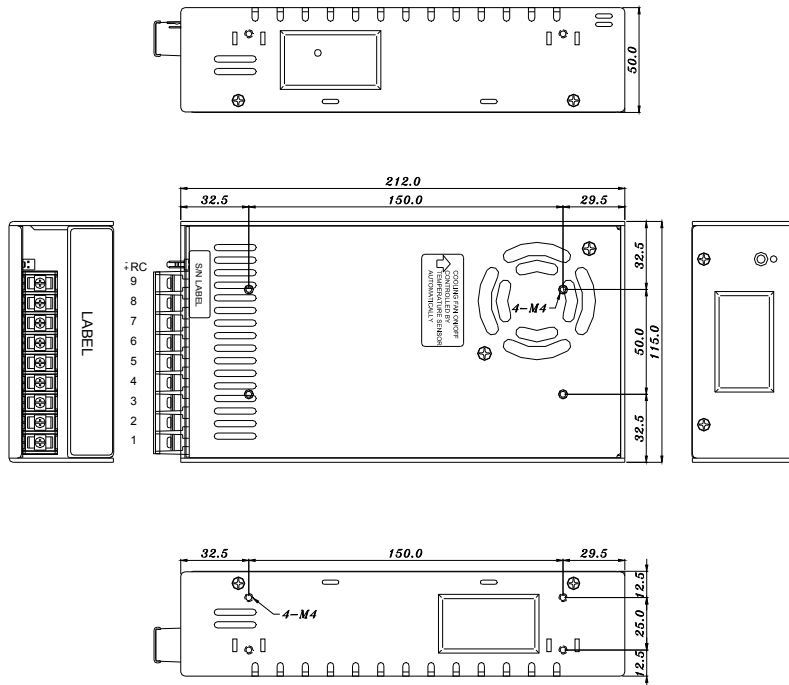


De-rating Curve :



Dimension:

(Unit: mm)



NOTES:

TERMINAL BLOCK: 9P, PITCH 9.5mm with pc cover

MODEL No.	1	2	3	4	5	6	7	8	9
SDS-320C/Dxx	+Vin	-Vin	FG	-V	-V	-V	+V	+V	+V