



SUNPOWER TECHNOLOGY CORP.
 16F-1, No.150, Jian 1st Rd., Zhonghe Dist., New Taipei City 235, Taiwan (R.O.C.).
 TEL: 886-2-8226-3100 FAX: 886-2-8226-3111
 http://www.sunpower.com.tw
 E-mail: sunpower@sunpower.com.tw

SDS-230C/Dxx Series

230W, Single Output
 48V / 96V DC INPUT



198 x 99 x 50 mm
 7.8 x 3.9 x 1.97 inch



Features:

- * Inrush current limitation soft start function
- * 2:1 input range, input and output isolation
- * Input polarity reverse protection
- * Input under / over voltage protection
- * Over voltage, over load & short circuit protection
- * Over temperature protection (optional)
- * Remote control ON/OFF (optional)
- * Output voltage $\pm 10\%$ adjustment
- * 100% full load burn-in test
- * Meet LVD standard
- * 2 years warranty

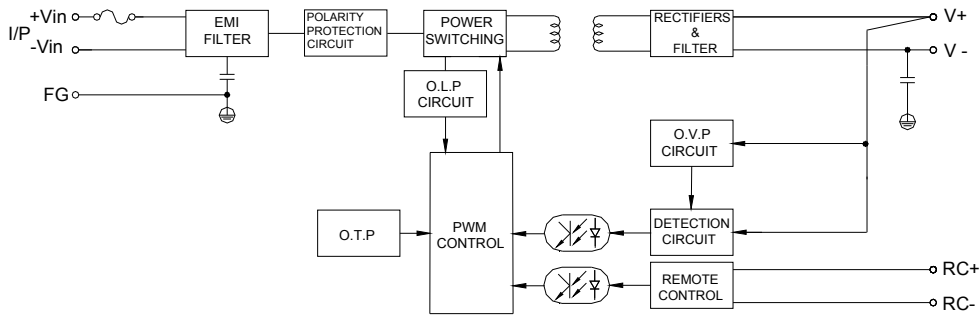
Specification:

Model No.	SDS-230Cxx Series				SDS-230Dxx Series		
	INPUT	Voltage 36 ~ 72V DC (Typical 48V)				72 ~ 144V DC (Typical 96V)	
	Current <9.5A@36V DC				<5.0A@72V DC		
	Inrush Current <30A@48V DC				<30A@96V DC		
	Protection Fuse, 15A/250V				Fuse, 6.3A/250V		
OUTPUT	Voltage	3.3V	5V	7.5V	12V	24V	48V
	Min Load	0A	0A	0A	0A	0A	0A
	Max Load	40A	40A	29.4A	19.2A	9.6A	4.8A
	Output Tolerance ②	$\pm 3\%$	$\pm 2\%$	$\pm 2\%$	$\pm 1\%$	$\pm 1\%$	$\pm 1\%$
	Ripple Noise MAX. ③	70mV	70mV	100mV	120mV	200mV	250mV
	Efficiency (TYP.)	69%	75%	78%	80%	83%	84%
	Output MAX.	132W	200W	220W	230W	230W	230W
PROTECTION	Over Voltage	3.8~4.6V	5.8~7.0V	8.6~10.5V	13.8~16.8V	27.6~33.6V	55.2~67.2V
		Hiccup and recovers automatically after the fault is removed.					
	Over Load & Short Circuit	When power supply over 105%~ 180% max load or short circuit acted, power supply will go into hiccup mode and recover automatically after the fault is removed.					
	Input Voltage	Under voltage protection : <32~35V Over voltage protection : >73~78V				---	
ELEC. CHAR.	Over Temperature	Optional, Over 95°C \pm 5°C Shutdown, recovers automatically after fault condition has been removed.					
ENVIRONMENT	Rise time	<50mS					
	Remote Control	Optional, RC+ / RC- : 0~0.7V=POWER ON ; 5~10V=POWER OFF , Sink Current: 3~10mA.					
SAFETY	Temperature ④	Operating: -10~70°C; De-rating: 50°C ~70°C : 2.5%/°C. ; Storage: -20~+85°C					
	Humidity	Operating: 20% ~ 90% RH (non condensing); Storage: 10% ~ 95% RH (non condensing)					
EMC	Withstand voltage	I/P-O/P:2.0KVAC, I/P-FG:1.5KVAC 1minute					
	Isolation resistance	I/P-O/P, I/P-FG, > 100M Ω /500VDC at 25°C / 70% RH					
OTHERS	EMI	EN 55022 CLASS B, FCC CFR 47 PART 15 CLASS B, CNS 13438 CLASS B.					
	EMS	EN 55024 : EN 61000-4-2,3,4,6,8 ; ENV 50204					
	Cooling	Forced airflow cooling with DC fan.					
	M.T.B.F.	229K hours					
NOTE	Dimension	198 x 99 x 50 mm (L*W*H)					
	Packing	N.W.:0.8Kg / 1pc; 20pcs / 1.38 CUFT / 1 CTN					

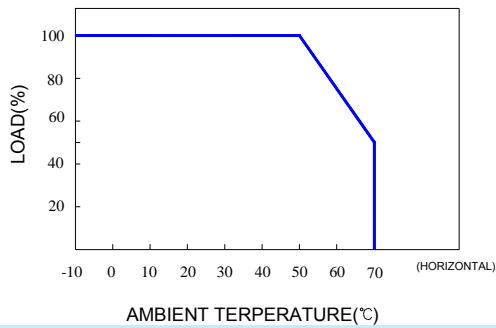
- ① All measurements which not mentioned are based on 48V/96VDC input, **output Max** at ambient 25°C / 70%RH
 ② Output tolerance included set up voltage, line regulation and load regulation.
 ③ Ripple & noise are measured at 42~72V/82~144VDC input with 10~50°C condition and 20MHz of bandwidth by terminated using a 10" ~15" twisted pair-wire with a 0.1uF & a 47uF parallel capacitor.
 ④ The operating temperature shall follow the de-rating curve in spec
 ⑤ The power supply is considered a component of end-equipment. The end-equipment must be re-confirmed whether comply with EMC directives.

SDS-230C/Dxx Series

Block Diagram : DS3

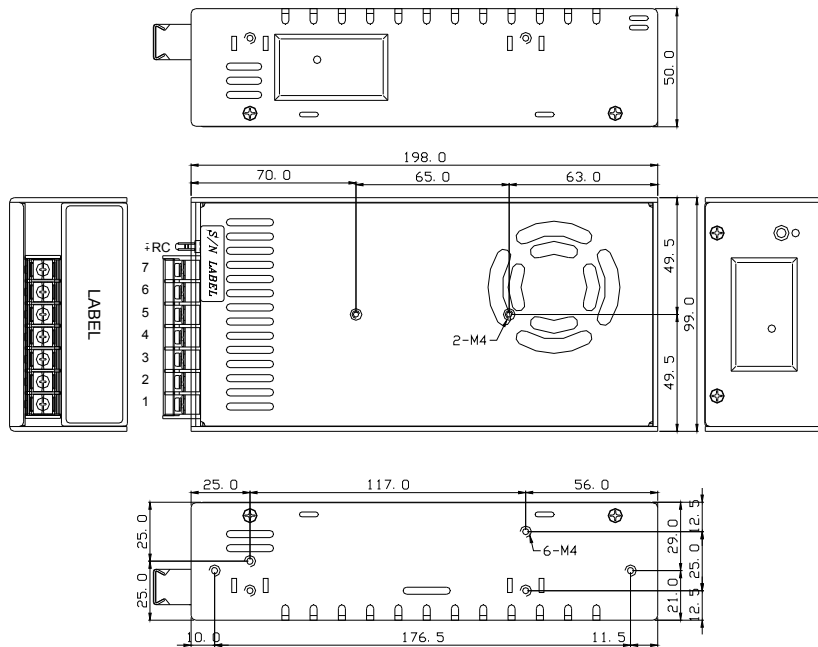


De-rating Curve :



Dimension:

(Unit: mm)



NOTES:

TERMINAL BLOCK: 7P, PITCH 9.5mm WITH PC COVER.

MODEL No.	1	2	3	4	5	6	7
SDS-230C/Dxx	+Vin	-Vin	FG	-V	-V	+V	+V